

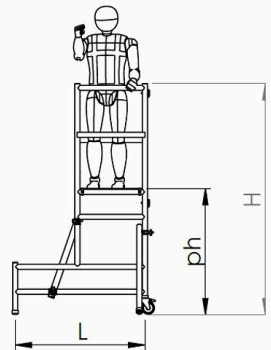
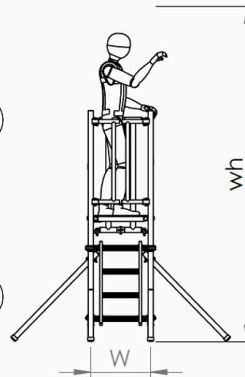
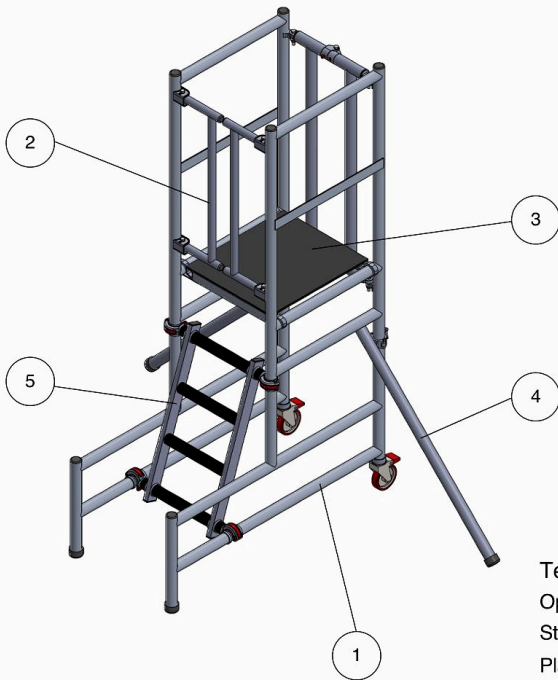
UTS SALES AND REPAIRS

A SAFER WAY TO REACH NEW HEIGHTS

BS 8620 Podium (H)2.26 X (L)1.37m X (W)0.65m	Working Height 3.25m	Platform Height 1.25m
--	--------------------------------	---------------------------------

Tower Components

Item	Description	Quantity
1	Podium Mainframe	1
2	Self Closing Gates	1
3	Platform	1
4	Stabilisers	2
5	Ladder	1
6	Instruction Manual	1



Technical information:

Open Dimensions:	(H)2.26 X (L)1.37m X (W)0.65m
Storage Dimensions:	(H)2.26 X (L)1.37m X (W)0.26m
Platform Dimensions:	0.6m X 0.53m
Platform Height (ph):	1.0m 1.25m
Working Height (wh):	3.0m 3.25m
Maximum Working Load:	150kg
Weight:	35kg

01227 860085
Mon-Fri, 8am until 5pm

For More Information:
info@towersandpodiums.co.uk
We reply within 1 hour
Mon-Fri, 8am until 5pm



UTS SALES AND REPAIRS

A SAFER WAY TO REACH NEW HEIGHTS

BS 8620:2016 PODIUM

Instruction/Safety Manual Self Closing Mobile 1 Person Low Level Working Platform, 1.25m, 1.5m platform height.

Maximum safety working load 150Kg

For more information, please contact us via:

Phone: 01227 860085

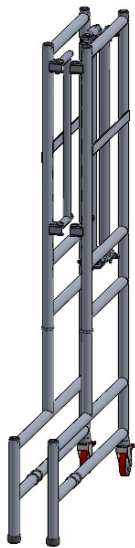
Email: info@towersandpodiums.co.uk

Website: www.towersandpodiums.co.uk

Always carry out a risk assessment for each task before you start work, to ensure BS8620:2016 Podium is the correct mode of access for the task that is being undertaken.



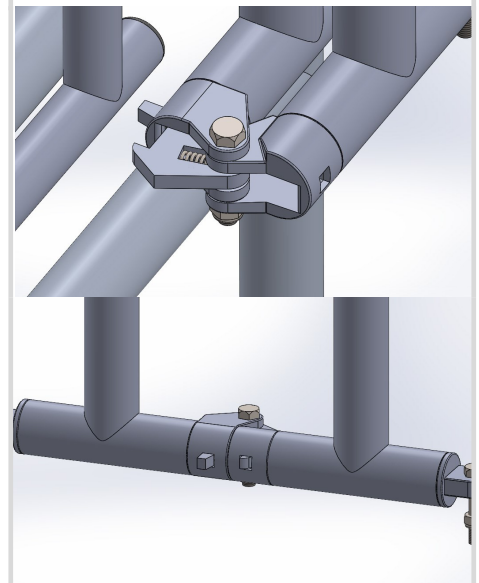
With Podium closed, move into position and lock caster wheels.



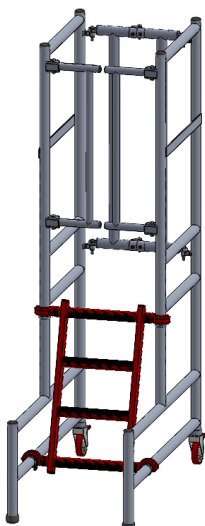
2. Unfold rear frame of the Podium



Ensure the bottom locking elbow has engaged.



Push ladder hooks onto lowest rung between the guides until it locks. Now repeat for top of ladder.



Hook on platform at chosen height and turn wind lock to closed position.



Attach stabilisers by tightening the palm wheel and coupler.



CONFIGURATION OPTIONS

Important: For all configuration options ensure that all stabiliser clamps are fully tightened to ensure safe secure use.

Rear elevation against a wall. Position both stabilisers at 90° from the Podium



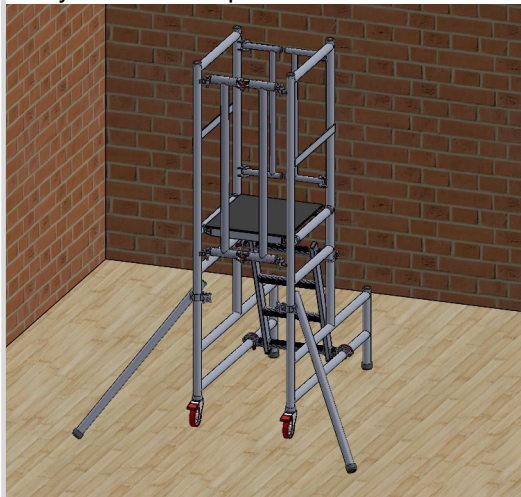
Rear and side elevation against a wall. Position stabiliser at 90° from the Podium



Side elevation against a wall. Position 1 stabilisers at 90° from the Podium, and 1 parallel to the wall



In an open area, working at rear or overhead, put stabilisers at 45° from body as shown in picture.



In an open area, working over sides or overhead, put stabilisers at 90° from body as shown in picture.



Component List:
 1 x Main Frame
 2 x Access Ladder
 3 x Platform
 4 x Stabilisers
 All replacements can be purchased directly from UTS Sales and Repairs

UTS Sales and Repairs
 Unit 1A
 Canterbury Industrial Park
 Island road
 Hersden
 Kent
 CT3 4HQ

01227 860085
www.towersandpodiums.co.uk



Read the instructions	Inspect before use
Face the access when ascending and descending	Only ascend or descend the LLWP using the access provided
Ensure all brakes are locked	Ensure side protection gate is closed and secured before use
Do not use on loose or slippery surfaces	Never more than one person
Do not overreach	Never stand on the side protection or use boxes, stepladders or other objects to gain extra height
Do not use damaged equipment	Do not use on sloping or uneven surfaces
Working Platform must be level	Never work near powerlines or other electrical equipment
Never use as a means of access to another place	Never stand on the access ladder to work
Never move when a person is standing on a workplatform	Beware of finger traps where these potentially exist