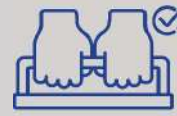




Compact



PMG alternator



Easy portable

Compact and lightweight portable engine driven welder. It is equipped with a Honda 4000 RPM engine, stage V.

Just like all the GenSet engine driven welders, it is designed to be used as both a generator and welder simultaneously, its simple and smart design allows a practical and easy use.



Stage V



Inverter available





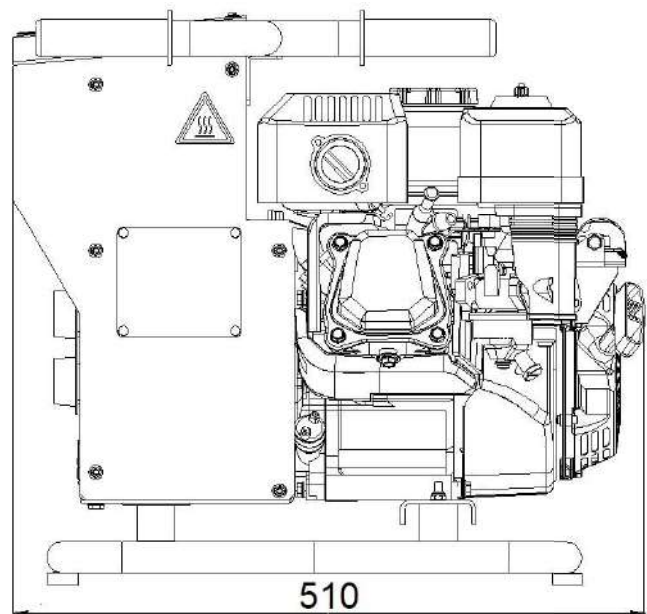
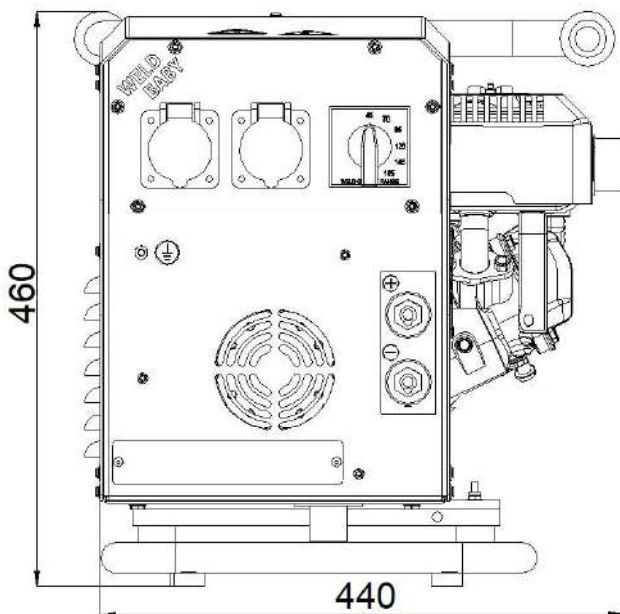
Weldbaby 180



Shielded Metal Arc Welding (SMAW)

- Low oil level shutdown device
- 1 x 16 A - 110 V single-phase socket
- 1 x 16 A - 230 V single-phase socket
- Power outputs protections
- Automatic idle device when no load is connected
- AC Inverter (optional)

DIMENSIONS IN MM



	Weldbaby 180	Weldbaby 180i
Noise level Lwa	98 (73 dB a 7 mt)	
Generator-50Hz	PMG	
Single-phase max. power	1 kW - 230 V DC	1 kVA - 230 V AC
Single-phase max. power	0,5 kW - 110 V DC	0,5 kVA - 110 V AC
Power Factor	cos ϕ 1	
DC welding	Electromechanical current regulation	
Duty Cycle @ 60%:	150 A - 24 V	
Output range:	40 A - 150 A	
Open Circuit Voltage:	70 V	
Max welding rod:	3,25 mm	
Honda engine	GX 200 4000 RPM	
Fuel	Petrol	
No. cylinders	1	
Power	5,1 HP (3,8 kWm)	
Displacement	196 cm ³	
Cooling system	Air	
Starting system	Recoil	
Fuel tank capacity	3,1 lt	
Fuel consumption @75%	1,5 lt/h	
Insulation Class	H	
Ambient temperature	40 °C	
Altitude	1000 mt	
Degree of protection	IP 23	
Dimensions (LxWxH)	510x440x460 mm	
Dry weight	35 kg	



Weldbaby 180

Accessories

- 1- ST25 Welding cables with accessories



NOTE

